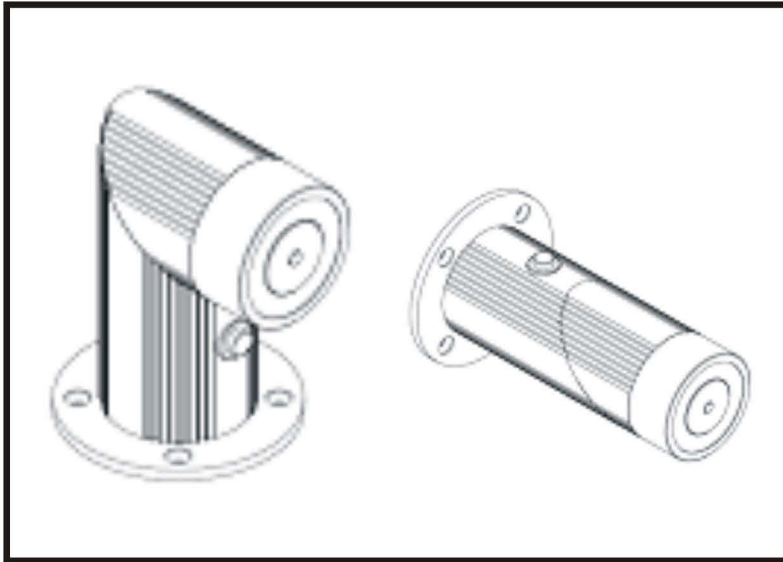


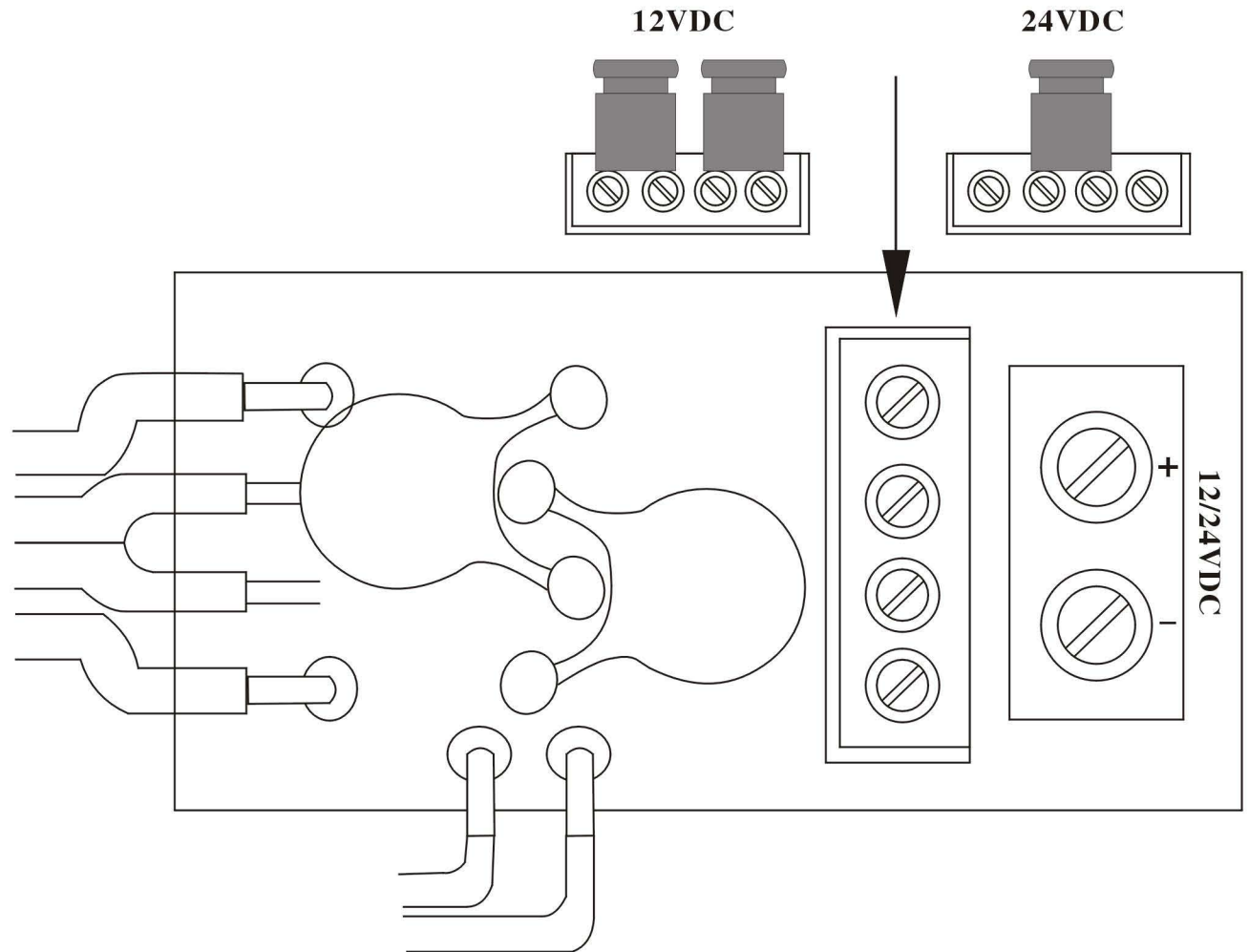
# Wall Mount Door Holder



MODEL: SOL-606



## Wiring Instructions



SPECIFICATIONS	
Dimensions	80Lx80Wx115H(mm)
Voltage Input	12VDC/24VDC
Current Draw	12V/100mA 24V/50mA
Holding Force	50kg(100Lbs)
Anti-Rust Surface Treatment	Blue Zmc Plating
Operating Temperature	0~55
Operating Humidity	0~95%
Weight	1.06kg
<b>FEATURES:</b>	
Dual Voltage Selectable(12VDC or 24VDC)	
Emergency Release Button/Test Button	
Wall Mounting Direction	
Low Current Consumption	
Reliable Fail-Safe Mechanism	
Durable and Silence Operation	