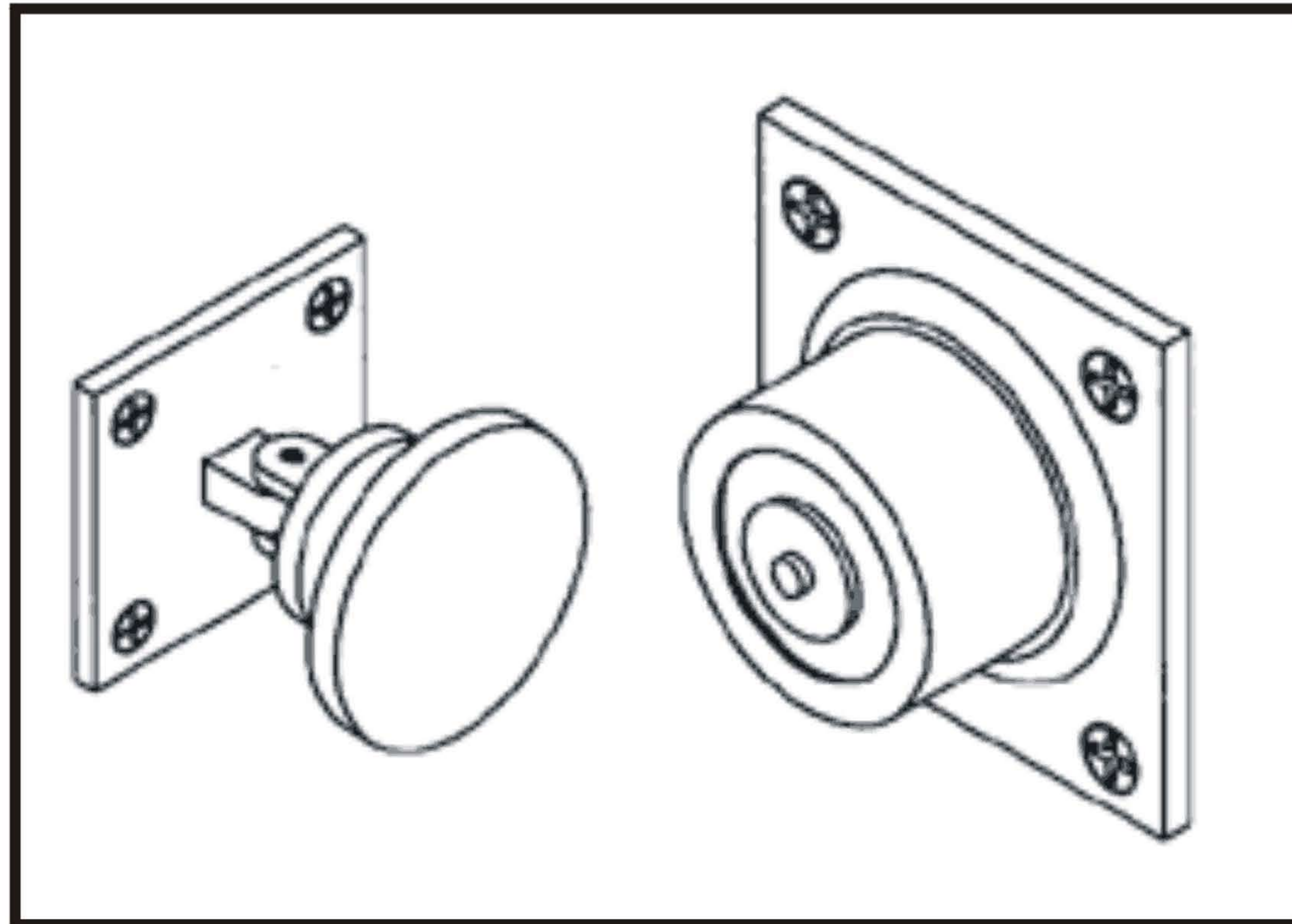


Basic Wall Mount Door Holder



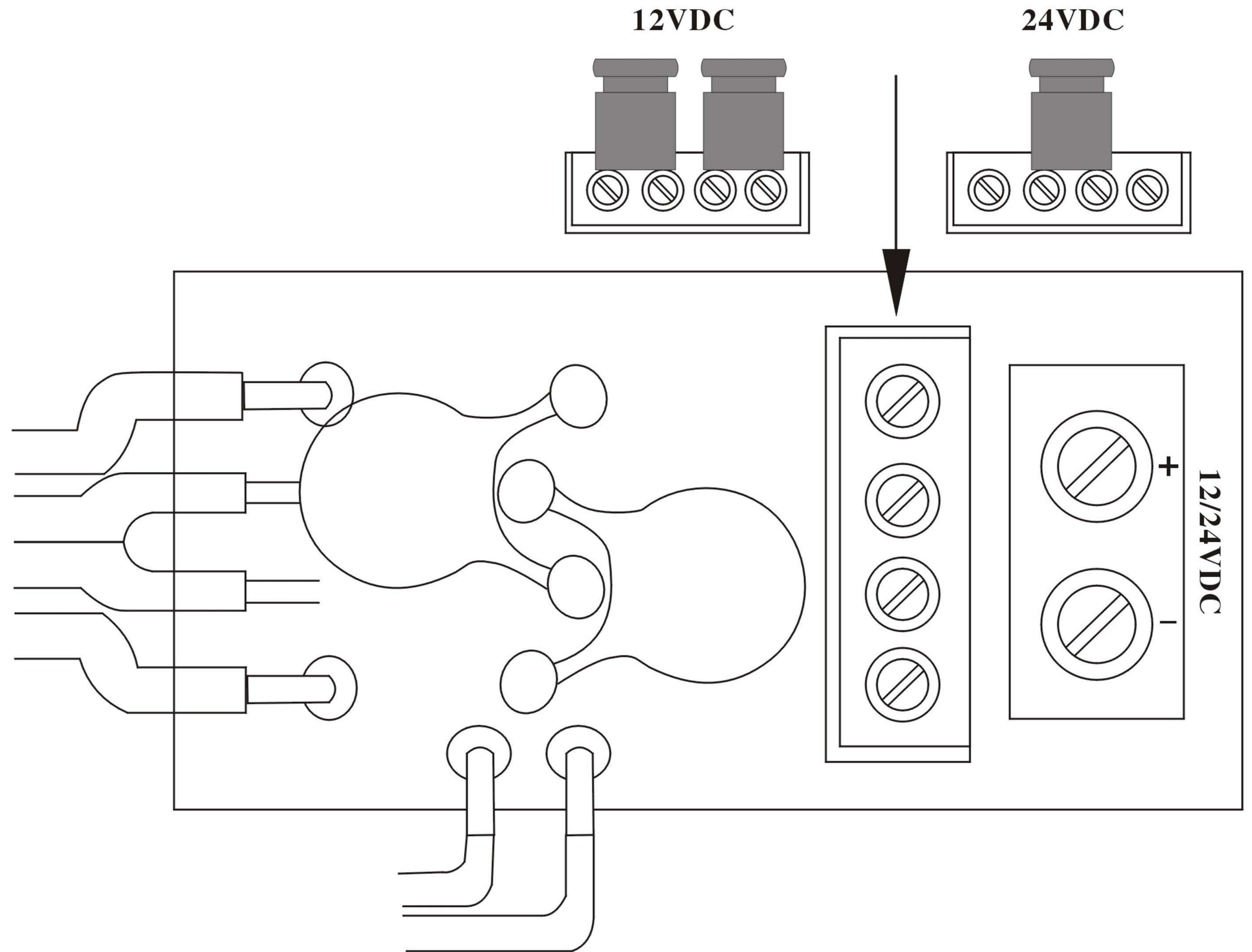
MODEL: SOL-601



Wiring Instructions

12VDC

24VDC



SPECIFICATIONS	
Dimensions	80Lx80Wx40H(mm)
Voltage Input	12VDC/24VDC
Current Draw	12V/100mA 24V/50mA
Holding Force	50kg(100Lbs)
Anti-Rust Surface Treatment	Blue Zmc Plating
Operating Temperature	0~55
Operating Humidity	0~95%
Weight	0.82kg
FEATURES: Dual Voltage Selectable(12VDC or 24VDC) Emergency Release Button/Test Button Wall Mounting Direction Low Current Consumption Reliable Fail-Safe Mechanism Durable and Silence Operation	